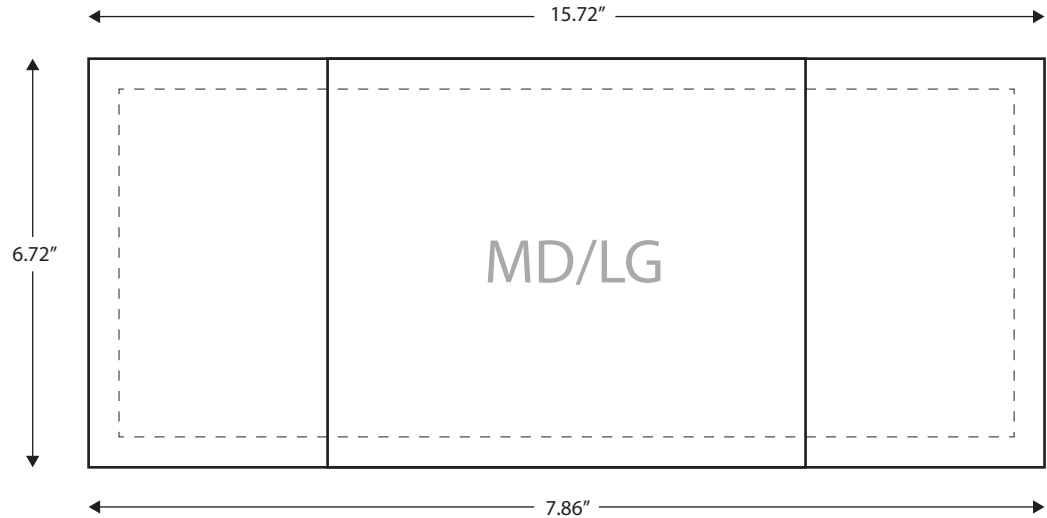




WORLD CUP SUPPLY ARMBAND



15.72" x 6.72"

Art File: [Sugarloaf](#)

Armband: [Polyester, 4-way stretch, Med/Lg \(15.72x6.72\)](#)

IMPORTANT

Please **carefully** review this mockup and order information for accuracy. To indicate approval of this mockup, please fax or email a signed copy to WCS. Please do **NOT** assume that imprint information is correct. Please check all information including spelling, color codes, and numbers. **Custom orders are non-refundable. Any outstanding balance due for this order must be paid in full in the event of a cancellation by the customer.** The colors of the layout could be different from those of the finished product. Mockup should be used as a guide. We cannot guarantee that artwork or designs align across the seams of the finished product. With approval of this layout for production, the customer declares to have the right to use the above shown brand name(s) and logo(s). Shipping is 3 weeks from art approval and 100% deposit.

Customer Approval:

X _____ Date: _____

World Cup Supply, Inc.
226 Industrial Drive
Bradford, VT 05033

800-555-0593
info@worldcupsupply.com
worldcupsupply.com